

TUMBLE DRYERS

SOMETIMES LESS CAN BE MORE

DD23 BASIC

FEATURES

- Tumble dryer in galvanised steel.
- Big loading door (opening of 180°).
- Direct drive through a gearbox, no pulley.
- Time and temperature selection. (These models do not allow the moisture control option).
- REVERSING DRUM: All models offer the reverse turning of the drum.
- Drum in galvanised steel.
- Radial airflow circuit.
- New filter drawer with wide surface and improved airflow.
- Cool Down: Anti-wrinkle at the end of cycle.
- Models available in electric or gas.



OPTIONS

- Version in 60 Hz.
- Marine versions 440V III 60 Hz No neutral or 480V III 60 Hz No neutral.



Inversion de sens



Tambour efficace

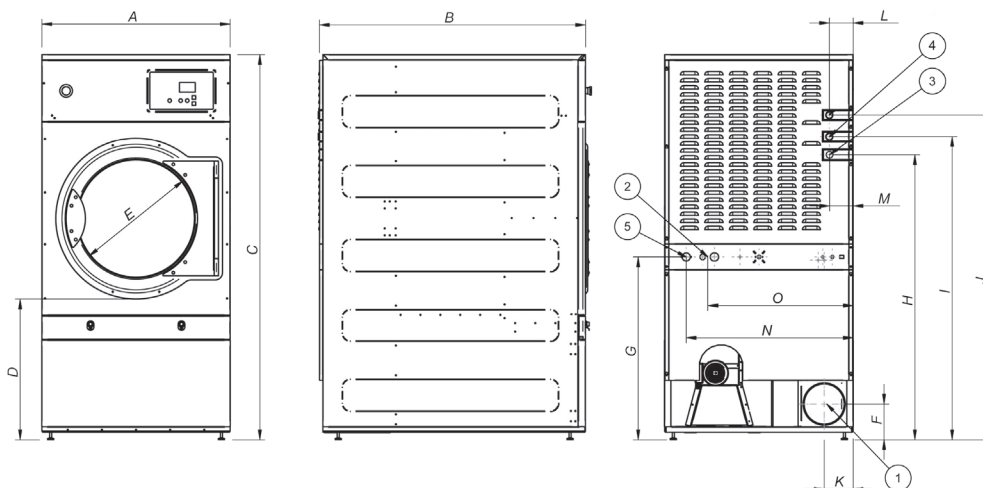


Double flux
Axial & Radial



Sechage Doux

TECHNICAL DATA	UNIT.	DD23 BASIC	
CAPACITY			
Capacity 1/18	Kg	26	
Capacity 1/20	Kg	23	
Hourly Output BASIC	Kg/h	46	
Evaporation capacity BASIC	l/h	23,9	
DRUM			
Ø Drum	mm	855	
Ø Door	mm	574	
Door center height	mm	1030	
Load hole bottom height	mm	743	
Drum length	mm	800	
Drum volume	l	460	
POWER			
Drum motor power	Kw	0,37	
Fan Motor Power BASIC	Kw	0,55	
Total Installed power BASIC	Kw	24,97	
Electric Heating (Installed power)	Kw	24	
Gas heating (installed Power) in KW	Kw	31	
Gas heating (installed el. power) BASIC	Kw	0,97	
CONNECTIONS		ELECTRICAL	GAS
Tension 230V - I + T	N° x mm2 / A	-	3 x 1,5 / 20A
Tension 230V - III + T	N° x mm2 / A	4 x 25 / 80A	4 x 1,5 / 20A
Tension 400V - III + N + T	N° x mm2 / A	5 x 10 / 40A	5 x 1,5 / 20A
Ø Gas inlet	BSP	1/2"	
DIMENSIONS / PACKING DIMENSIONS			
Width / Width	mm	890/970	
Depth / Depth	mm	1.245/1.345	
Height / Height	mm	1.812/1.940	
Height without heating battery	mm	-	
Net weight / Gross weight	Kg	210/230	
OTHERS			
Max airflow BASIC	m3/h	1.200	
Ø Fume exhaust	mm	200	
Sound level BASIC	dB	65	



- 01. Fumes outlet
- 02. Electrical connection
- 03. Gas connection
- 04. Condensation outlet
- 05. Anti fire water valve

	A	B	C	D	E	F	G	H	I	J	K	L	M	N	O
DD23	890	1.245	1.817	672	574	168	862	1.344	1.430	1.532	137	113	112	787	685